

5

4

3

2

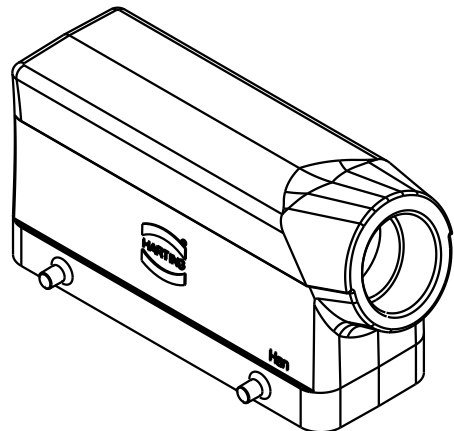
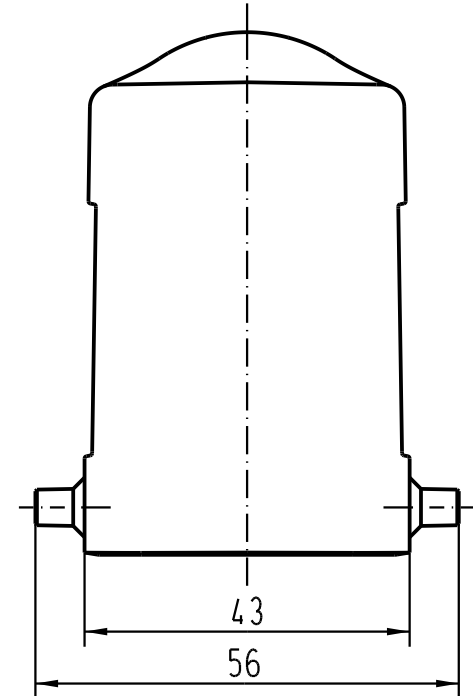
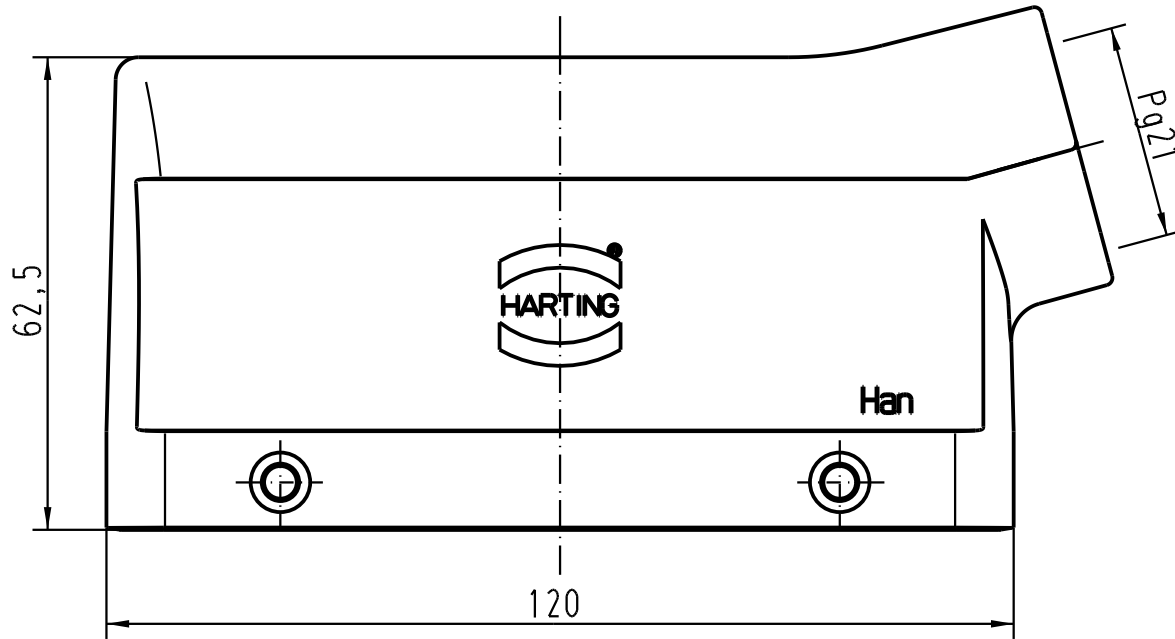
1



D

C

B

A



|  All Dimensions in mm Original Size DIN A 4 | | Techn. Character. | | | Nicht tolerierte Masse/ Free size tolerances | | |
|---|------|-------------------|---|----------|--|---|-------------------|
| Mod. | Dat. | Name | Dat. | Name | Massstab/Scale | | |
| | | | Detail. | 03.09.03 | DY | Han 10HvE-gs-Pg21 Tüllengehäuse/ hoods side entry | |
| | | | Insp. | | KR | | |
| | | | Stand. | | | | |
| 410609 | | | HARTING Electric GmbH & Co. KG D-32339 Espelkamp | | | 1:1 | TB 09 34 010 0501 |
| | | |  | | | | |
| | | | Sub. f. TB 09 34 010 0501 v.11.02.93 | | | | Blatt/ page |